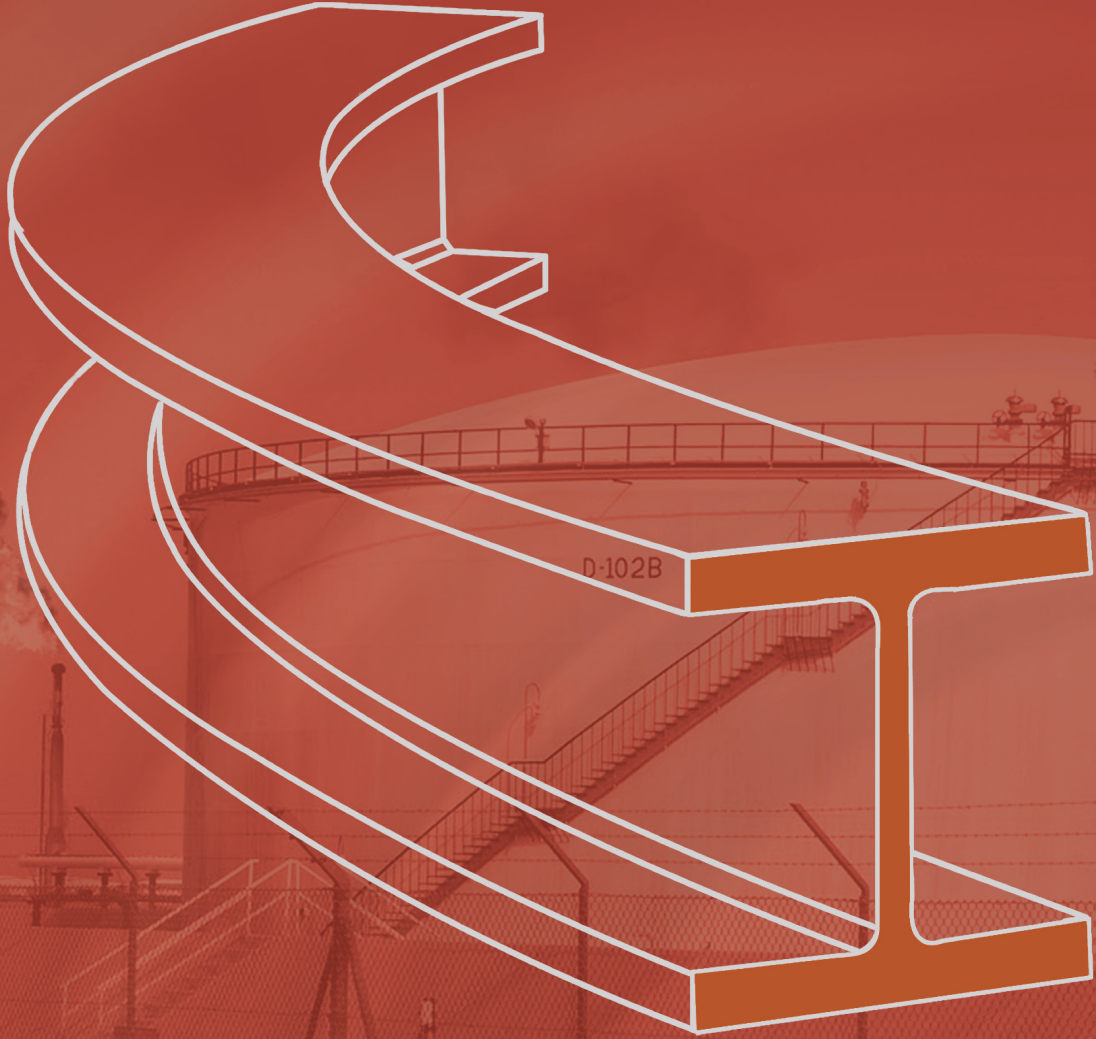


# Steel Guardrails

شركة المشغولات والمباني المعدنية المحدودة  
Steel Building & Structure Co. Ltd.



**SBSCO Industrial Services**

سبسكو للخدمات الصناعية





# Single sided guardrails



شركة المشغولات والمباني المعدنية المحدودة  
STEEL BUILDING & STRUCTURE CO. LTD.

شركة ذات مسؤولية محدودة رأس المال 1.5 مليون ريال سعودي  
Dammam 34331 - 4199 - Building No. 7083 - Second Industrial Area  
Intersection Street 85 with 150 - Kingdom Of Saudi Arabia  
CR. 2050105307 - CC. NO. 175564



+966 13 832 3388

+966 13 832 9933

alabuo@alabuo.co

www.alabuo.co

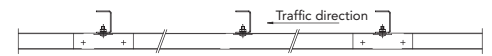
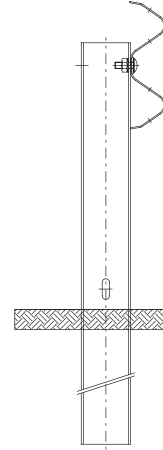


## Class N2 Roadside 2-waves single sided guardrail W2

Crash test: n. 391, 388 - ASI: 0,9



CE n. AISICO 004/CPD/2009



### Characteristics

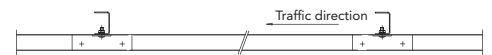
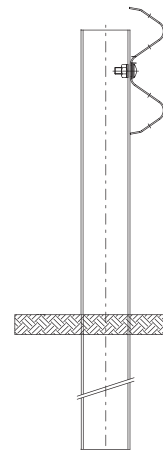
Weight	18,81 kg/m
Height above ground level	750 +/- 25 mm
Depth of penetration	850 mm
Overall width	205 mm
Post spacing	2000 mm

## Class N2 Roadside 2-waves single sided guardrail W5

Crash test: n. 328, 329 - ASI: 0,87

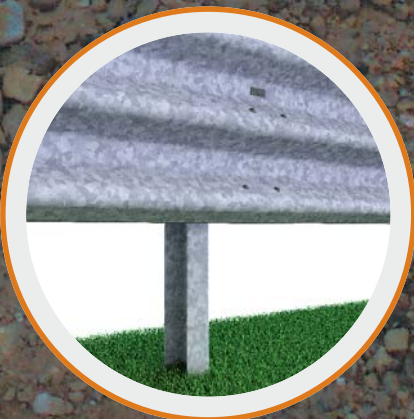


CE n. AISICO 007/CPD/2009



### Characteristics

Weight	17,38 kg/m
Height above ground level	750 +/- 25 mm
Depth of penetration	1005 mm
Overall width	205 mm
Post spacing	4000 mm





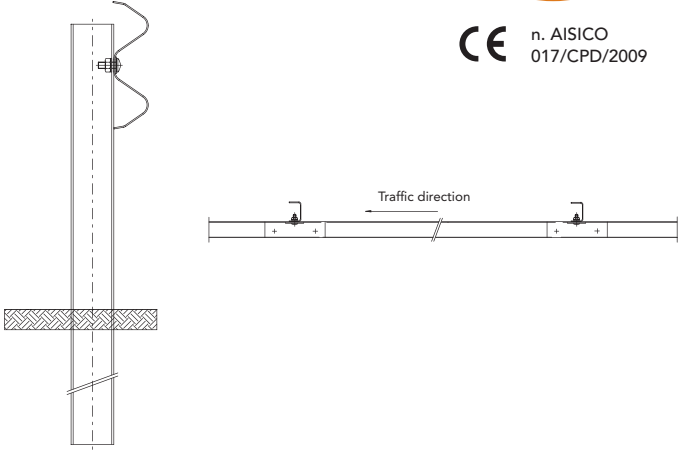


## Class N2 Roadside 2-waves single sided guardrail W7

Crash test: n. 580, 588 - ASI: 0,7



CE n. AISICO  
017/CPD/2009



### Characteristics

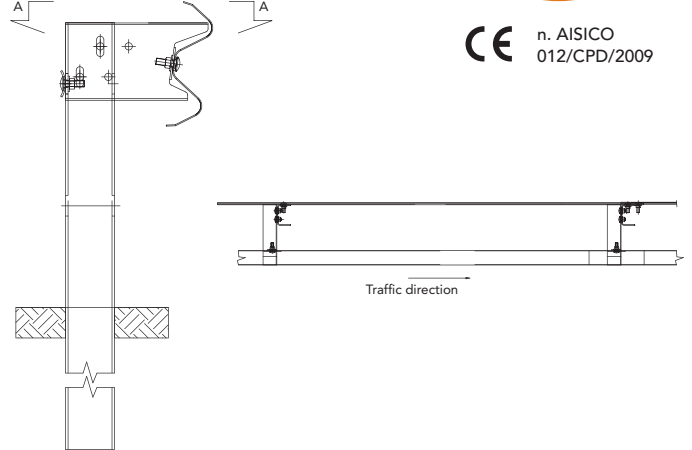
Weight	12,75 kg/m
Height above ground level	750 +/- 30 mm
Depth of penetration	750 mm
Overall width	190 mm
Post spacing	4500 mm

## Class H1 Roadside 2-waves single sided guardrail W5

Crash test: n. X63.02.E02,  
X63.01.E02 - ASI: 0,94



CE n. AISICO  
012/CPD/2009



### Characteristics

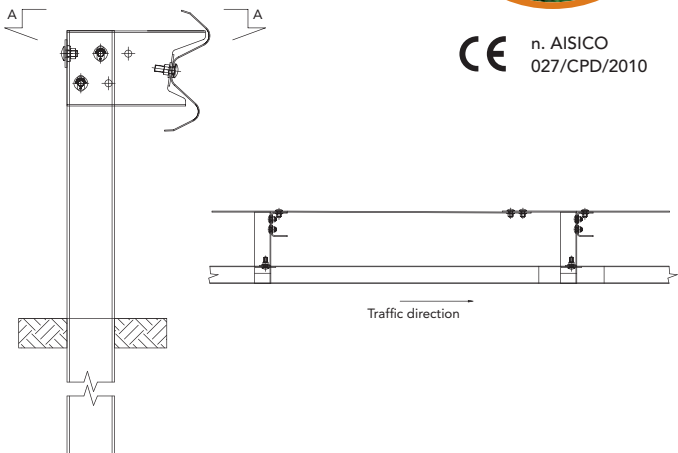
Weight	25,7 kg/m
Height above ground level	750 mm
Depth of penetration	950 mm
Overall width	364 mm
Post spacing	2000 mm

## Class H1 Roadside 2-waves single sided guardrail W3

Crash test: n. 489, 490 - ASI: 1



CE n. AISICO  
027/CPD/2010



### Characteristics

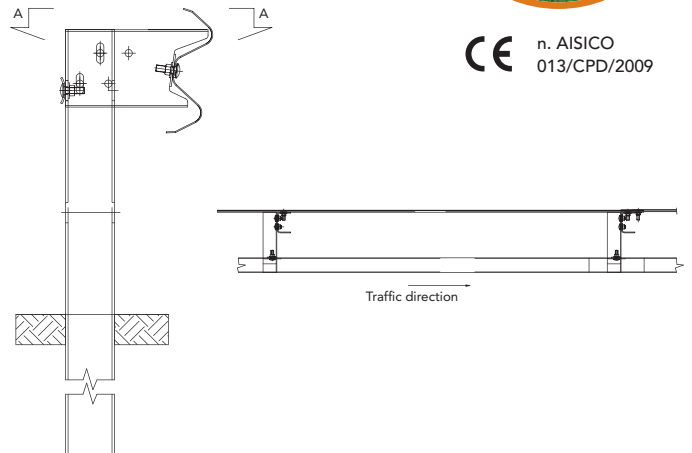
Weight	29,9 kg/m
Height above ground level	770 +/- 10 mm
Depth of penetration	920 mm
Overall width	364 mm
Post spacing	1500 mm

## Class H2 Roadside 2-waves single sided guardrail W6

Crash test: n. X63.05.E05,  
X63.01.E02 - ASI: 0,94



CE n. AISICO  
013/CPD/2009



### Characteristics

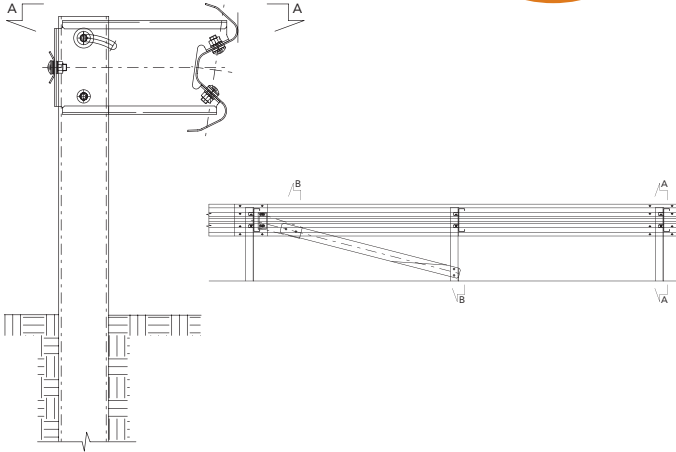
Weight	25,7 kg/m
Height above ground level	750 mm
Depth of penetration	950 mm
Overall width	364 mm
Post spacing	2000 mm





## Class H2 Roadside 2-waves PAB TE single sided guardrail W5

Crash test: n. PAB/BSI-04/494A,  
PAB/BSI-03/493A - ASI: 1

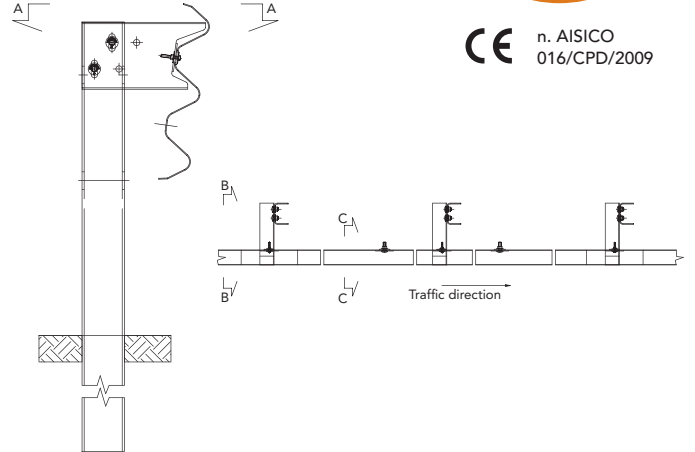
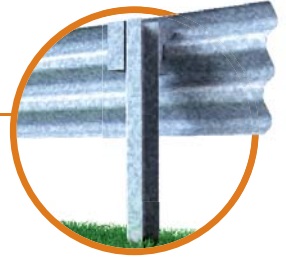


### Characteristics

Weight	29,90 kg/m
Height above ground level	750 mm
Depth of penetration	1200 mm
Overall width	440 mm
Post spacing	2000 mm

## Class H2 Roadside 3-waves single sided guardrail W6

Crash test: n. 619, 625 - ASI: 0,9



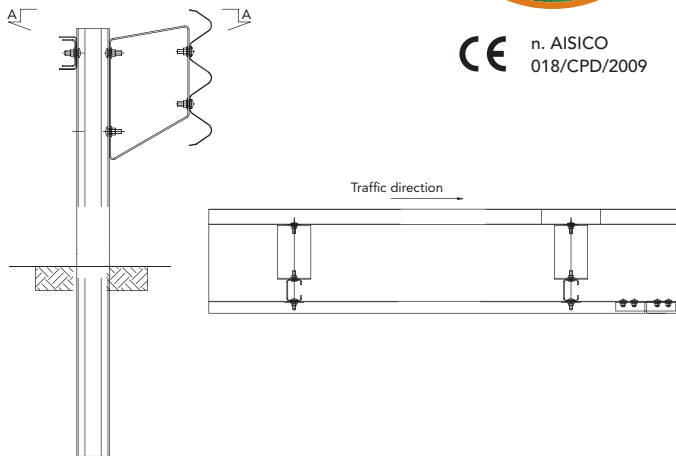
CE n. AISICO  
016/CPD/2009

### Characteristics

Weight	27,90 kg/m
Height above ground level	940 +/- 30 mm
Depth of penetration	760 mm
Overall width	364 mm
Post spacing	2250 mm

## Class H2 Roadside 3-waves single sided guardrail W4

Crash test: n. 511, 411 - ASI: 0,9



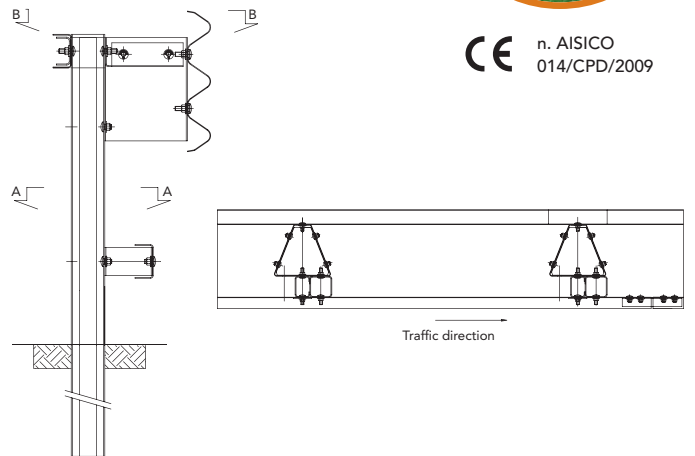
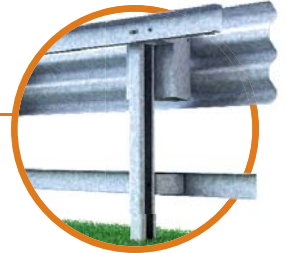
CE n. AISICO  
018/CPD/2009

### Characteristics

Weight	42,76 kg/m
Height above ground level	950 +/- 50 mm
Depth of penetration	750 mm
Overall width	565 mm
Post spacing	1500 mm

## Class H3 Roadside 3-waves single sided guardrail W5

Crash test: n. 360, 380 - ASI: 1



CE n. AISICO  
014/CPD/2009

### Characteristics

Weight	60,33 kg/m
Height above ground level	1195 +/- 50 mm
Depth of penetration	900 mm
Overall width	565 mm
Post spacing	1500 mm





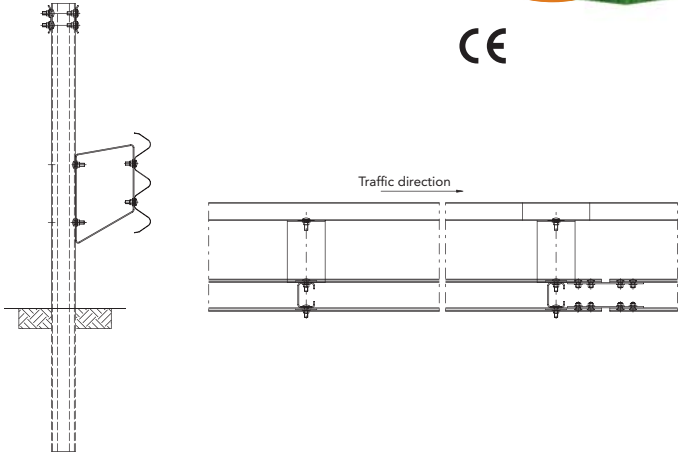
# Guardrails for bridge

## Class H3 Roadside 3-waves single sided guardrail W8

Crash test: n. 631, 643 - ASI: 0,8



CE

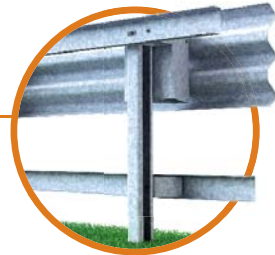


### Characteristics

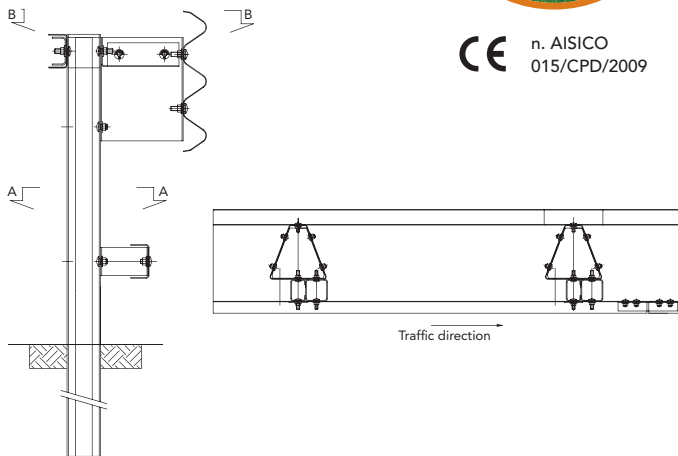
Weight	47,60 kg/m
Height above ground level	1550 mm
Depth of penetration	700 mm
Overall width	515 mm
Post spacing	2250 mm

## Class H4 Roadside 3-waves single sided guardrail W6

Crash test: n. 362, 380 - ASI: 1



CE n. AISICO  
015/CPD/2009



### Characteristics

Weight	60,33 kg/m
Height above ground level	1195 +/- 50 mm
Depth of penetration	900 mm
Overall width	565 mm
Post spacing	1500 mm

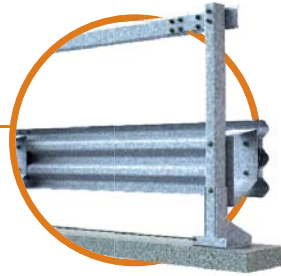




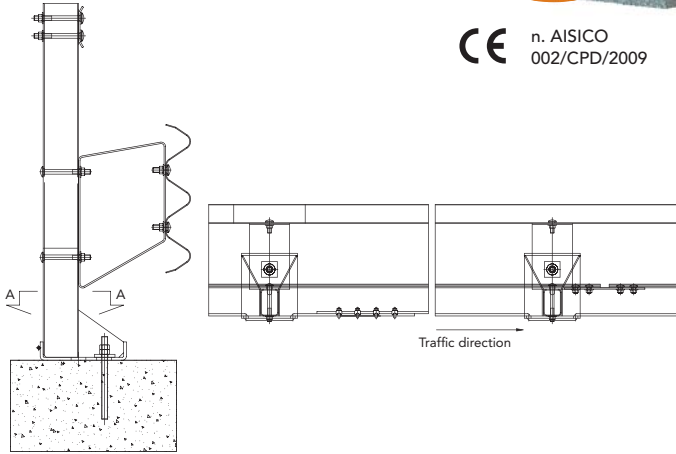


## Class H2 Bridge side 3-waves guardrail for bridge W5

Crash test: n. 560, X91.05.I10  
ASI: 0,9



CE n. AISICO  
002/CPD/2009

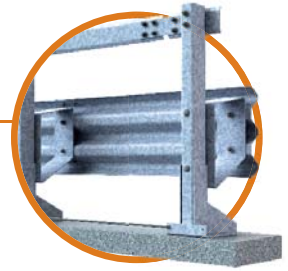


### Characteristics

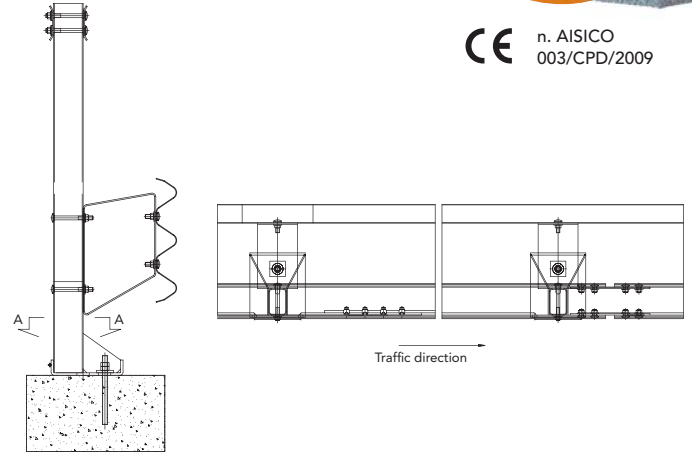
Weight	42,17 kg/m
Height above ground level	1200 +/- 10 mm
Depth of penetration	-
Overall width	500 mm
Post spacing	2250 mm

## Class H3 Bridge side 3-waves guardrail for bridge W7

Crash test: n. X91.08.I10, X91.07.I10  
ASI: 1



CE n. AISICO  
003/CPD/2009

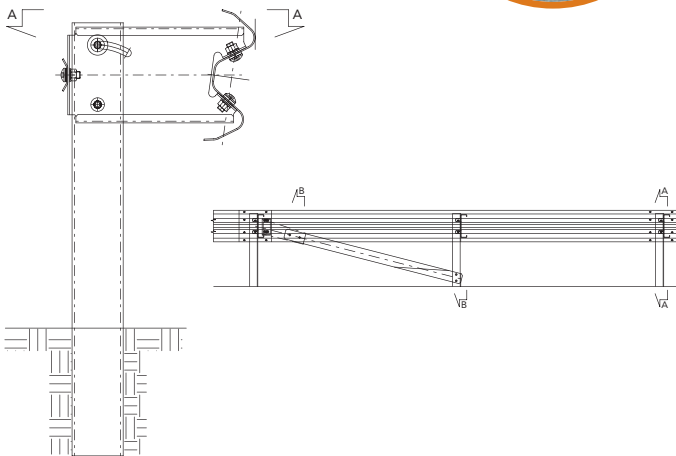


### Characteristics

Weight	65,18 kg/m
Height above ground level	1500 +/- 10 mm
Depth of penetration	-
Overall width	500 mm
Post spacing	1333 mm

## Class H2 Bridge side 2-waves PAB CE guardrail for bridge W4

Crash test: n. PAB/BSI-03/493A,  
PAB/BPM001/1235 - ASI: 1



### Characteristics

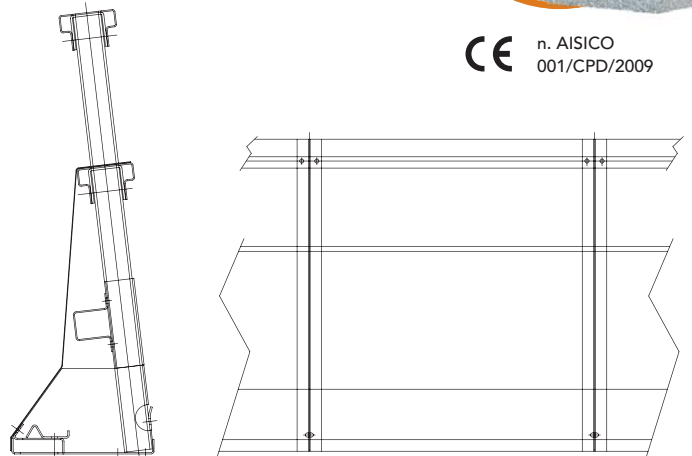
Weight	25,40 kg/m
Height above ground level	750 mm
Depth of penetration	300 mm
Overall width	440 mm
Post spacing	2000 mm

## Class H4 Bridge side New Jersey guardrail for bridge W5

Crash test: n. 247, 244 - ASI: 1,4



CE n. AISICO  
001/CPD/2009



### Characteristics

Weight	104 kg/m
Height above ground level	1521 mm
Depth of penetration	-
Overall width	498 mm
Post spacing	1400 mm



شركة المشغولات والمباني المعدنية المحدودة  
**STEEL BUILDING & STRUCTURE CO. LTD.**

شركة ذات مسؤولية محدودة رأس المال 1.5 مليون ريال سعودي  
 Damman 34331 - 4199 - Building No. 7083 - Second Industrial Area  
 Intersection Street 85 with 150 - Kingdom Of Saudi Arabia  
 CR. 2050105307 - CC. NO. 175564



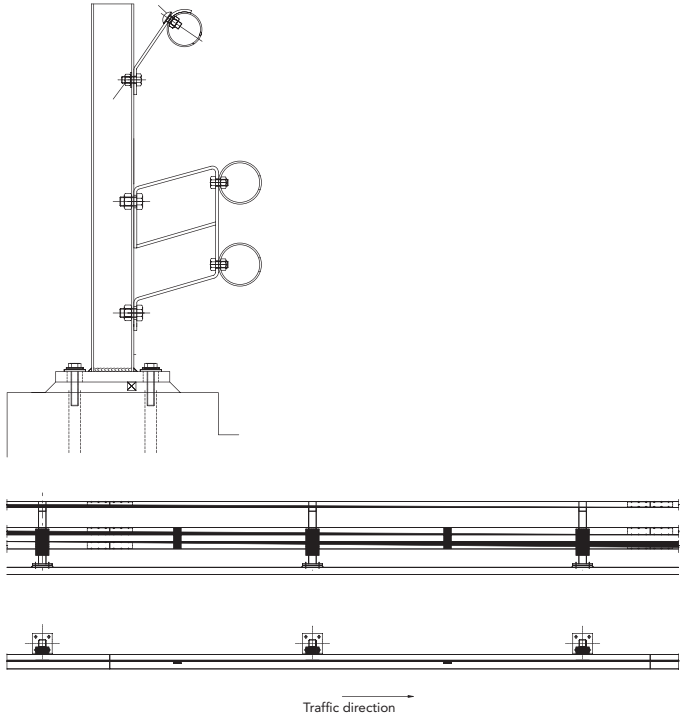
+966 13 832 3388 +966 13 832 9933 alabuo@alabuo.co www.alabuo.co



# Central reserve guardrails

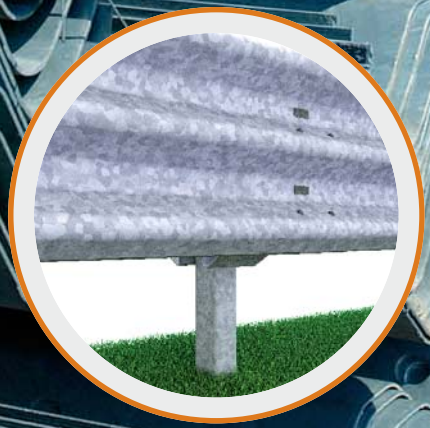
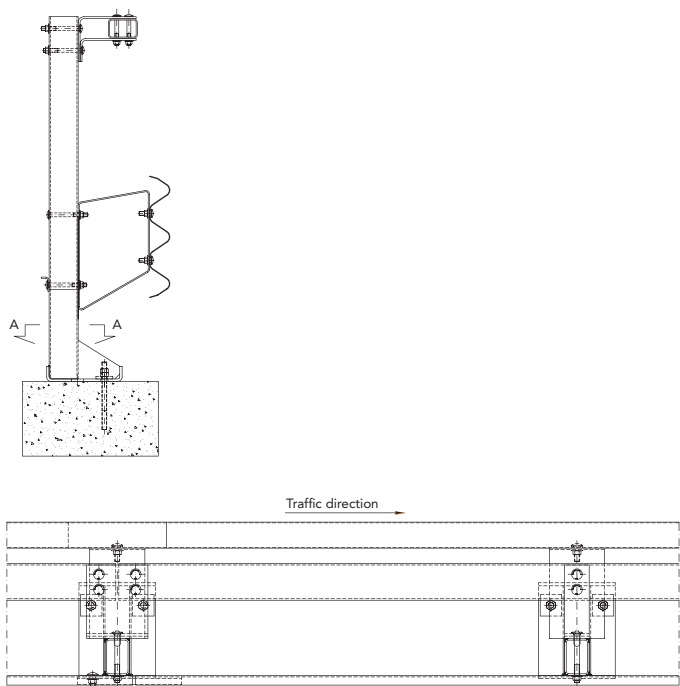
## Class H2 Bridge side Guardrail and tubular elements

Certification in progress



## Class H4 Bridge side 3-waves guardrail for bridge

Certification in progress





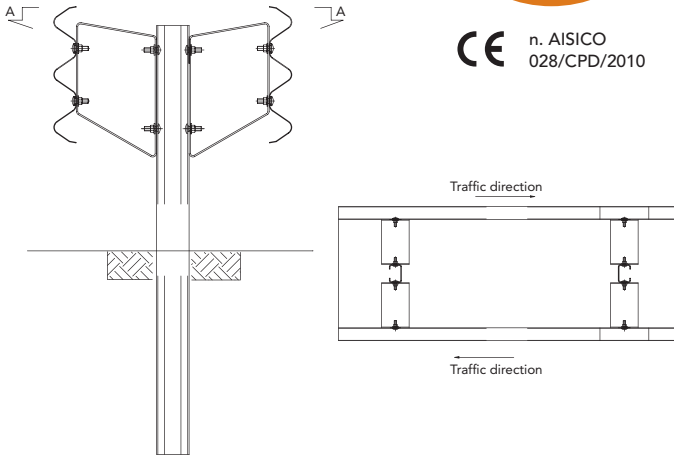


## Class H2 Central reserve 3-waves guardrail W6

Crash test: n. 646, 647 - ASI: 0,7



CE n. AISICO  
028/CPD/2010

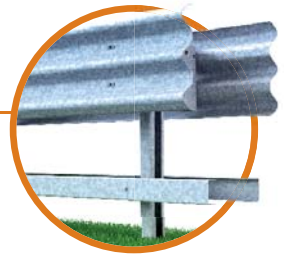


### Characteristics

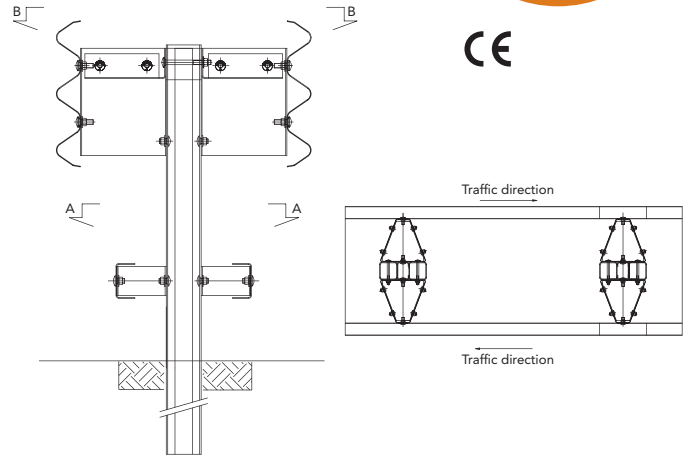
Weight	60,86 kg/m
Height above ground level	900 +/- 50 mm
Depth of penetration	750 mm
Overall width	875 mm
Post spacing	1500 mm

## Class H4 Central reserve 3-waves guardrail W6

Crash test: n. 636, 633 - ASI: 1



CE

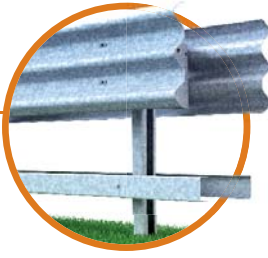


### Characteristics

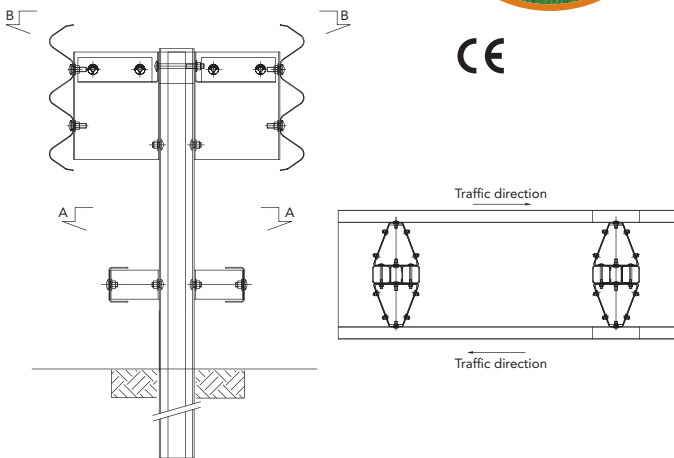
Weight	94,79 kg/m
Height above ground level	1195 +/- 50 mm
Depth of penetration	900 mm
Overall width	875 mm
Post spacing	1500 mm

## Class H3 Central reserve 3-waves guardrail W6

Crash test: n. 635, 633 - ASI: 1



CE



### Characteristics

Weight	94,79 kg/m
Height above ground level	1195 +/- 50 mm
Depth of penetration	900 mm
Overall width	875 mm
Post spacing	1500 mm

# Special components



شركة المشغولات والمباني المعدنية المحدودة  
STEEL BUILDING & STRUCTURE CO. LTD.

شركة ذات مسؤولية محدودة رأس المال 1.5 مليون ريال سعودي  
Damman 34331 - 4199 - Building No. 7083 - Second Industrial Area  
Intersection Street 85 with 150 - Kingdom Of Saudi Arabia  
CR. 2050105307 - CC. NO. 175564



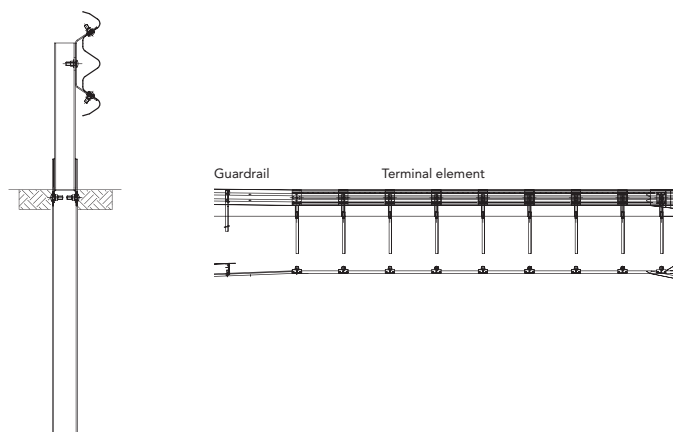
+966 13 832 3388 +966 13 832 9933 alabuo@alabuo.co www.alabuo.co



## Terminal for safety barriers P4



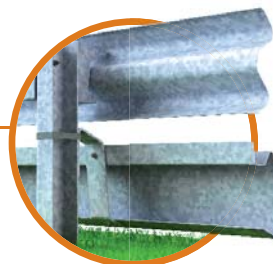
Crash test: n. MCG/EXT-006/1154,  
MCG/EXT-007/1285  
MCG/EXT-003/1122  
MCG/EXT-004/1123



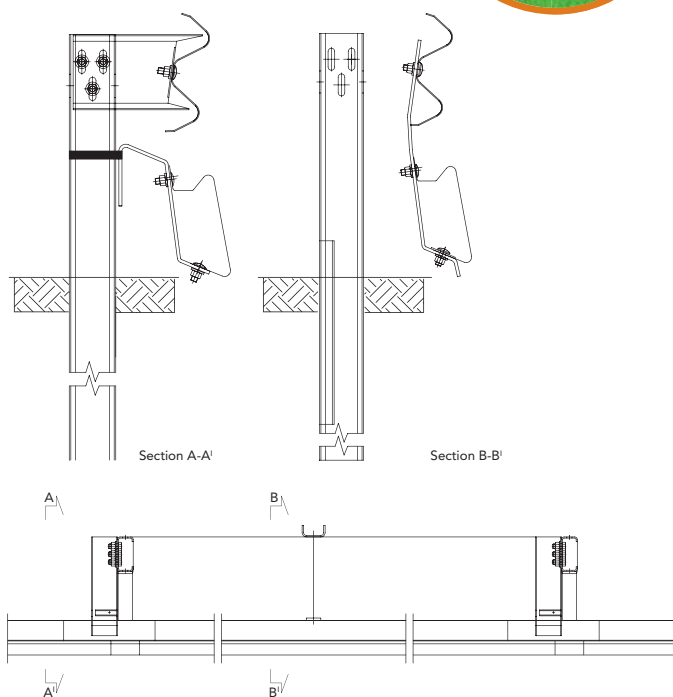
### Characteristics

Total system length	11.755 mm
Height above ground level	851 mm
Depth of penetration	1200 mm
Post spacing	1500 mm

## Safety barriers for motorcyclists Level I

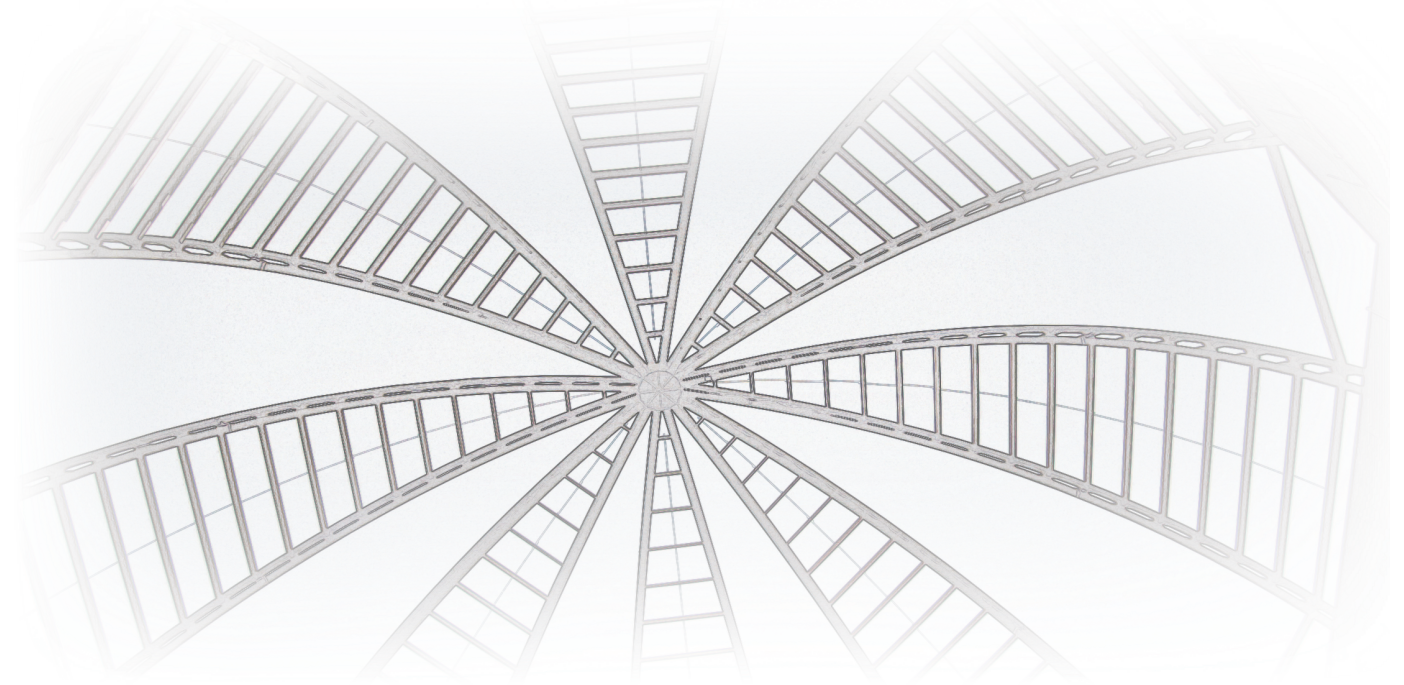


Crash test: n. M028, M022





# ALABUO GROUP



أكافي الصناعي  
AKAFI.NET



شركة المشغولات والمباني المعدنية المحدودة  
Steel Building & Structure Co. Ltd.



شركة الخيام والمظلات المحدودة  
TENTS & AWNING CO. LTD.



شركة الشهباء للإنشاءات المحدودة  
AlShahba For Construction Co.Ltd.

[www.alabuo.com](http://www.alabuo.com)



شركة المشغولات والمباني المعدنية المحدودة  
Steel Building & Structure Co. Ltd.



CERT  
04002577  
Cert. No. 3109092031

**kingdom Of Saudi Arabia Dammam City**

**Second Industrial Area - Street 85 - Building No. 7083  
Zip Code 34331-4199**

**[www.alabuo.co](http://www.alabuo.co)**

**Tel : +966 13 838 3311**

**fax : +966 13 838 3322**

**[alabuo@alabuo.co](mailto:alabuo@alabuo.co)**